



Powering Innovation



PROTECTION + AUTOMATION + CONTROL

3 PHASE, VT FUSE FAILURE RELAY JRV 123

JVS ELECTRONICS PVT. LTD.

#121, Manchanayakanahalli,
Bangalore Mysore Highway, Bidadi,
Ramanagara District - 562 109, Karnataka, India
+91 94808 26272, +91 94808 26260
bangalore@jvselectronics.in, www.jvselectronics.in

FEATURES

- ◆ Solid state reliability
- ◆ High speed operation
- ◆ Very high load impedance operation

APPLICATION

The relay monitors the healthiness of PT fuses.



PRINCIPLE OF OPERATION

The relay consists of sensing the voltage across each of the fuses separately. In normal condition, the potential across the fuses is nearly zero. On opening out of the fuse the potential across the particular fuse goes up. This potential drives current through the LED of the opto-coupler. The opto-coupler gets switched on due to the current in the opto-coupler provides circuit path for external LED indication and as well for the electromagnetic relay. The sensing circuit comprising of the opto-coupler and the associated driving circuit is separate for each phase. However, the electromagnetic relay providing potential free contacts for alarm and control is common for all the 3 phases.

TECHNICAL DATA

RATINGS

Rated voltage	:	110V AC, 50Hz. 3 phase
Operating time	:	Less than 20 mili seconds between the opening of fuse and closing of the open contact of electromagnetic relay
Auxiliary Supply	:	20 to 60V DC 75 to 150V AC / DC 175 to 300V DC / 185 to 250V AC

OVER LOAD RATINGS

Voltage	:	120% of rated voltage continuously
---------	---	------------------------------------

BURDEN

Input voltage	:	4 VA (maximum) at 110V AC with zero load impedance
Aux. Supply	:	Less than 3W (Non Operated) Less than 6W (Operated)

CONTACT RATINGS

Rating : 10A at 24V DC/230V AC

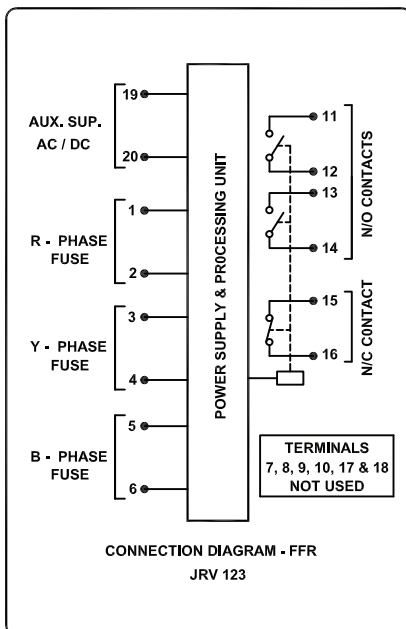
INSULATION

1. 2KV RMS, 50 Hz for 1 minute / 2.5 KV for 1 sec. Between all terminals and cases.
2. 1KV RMS, 50 Hz for 1 minute across open contacts

MECHANICAL DESIGN

Weight : Appx. 2500 gms
Case size : 144sq mm, depth 117mm
Installation : Flush mounting
Panel cutout : 138mm x 138mm

TERMINAL DIAGRAM



ORDERING INFORMATION

Voltage rating : 110V AC, 50Hz, 3Phase
Relay type : JRV 123
Auxiliary Supply : 20 to 60V DC
75 to 150V AC / DC
175 to 300V DC / 185 to 250V AC